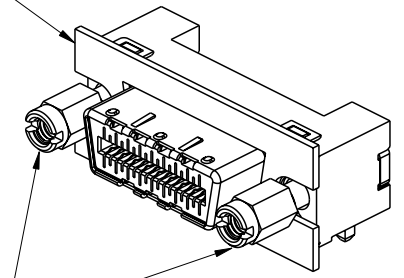
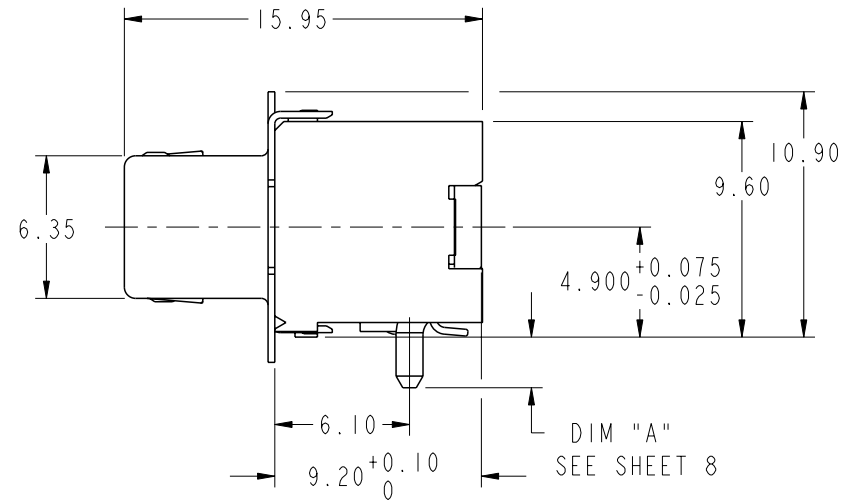
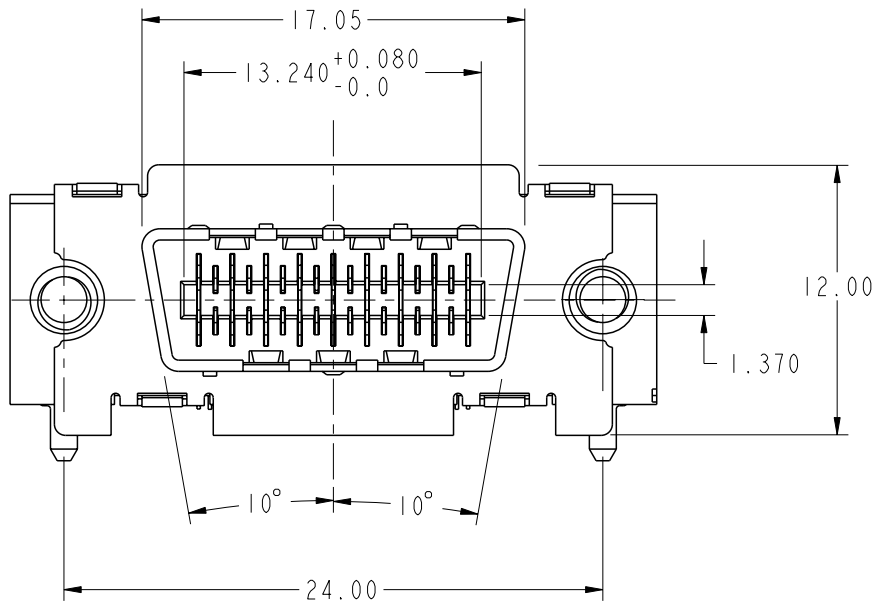


AVAILABLE WITH OR WITHOUT  
EMI GASKET.  
FOAM GASKET P/N 10019396-001 CAN  
BE PURCHASED SEPARATELY.  
METAL GASKET P/N 10043517 MUST BE  
PURCHASED ALREADY ASSEMBLED.



P/N 10009634-001, 2X  
THREADED STANDOFFS SOLD  
SEPARATELY



Copyright FCI.

rev	ecn no	dr	date
D	V04-0460	DA1	2004/06/08
E	V04-0830	TAB	2004/08/18
F	V04-1005	DA1	2004/10/06
G	V05-0063	TAB	2005/02/14
H	105-0141	HVN	2005/08/12
J	106-0123	HVN	2006/07/26
K	108-0048	RPK	2008/03/28

www.fciconnect.com		surface 3.2 ASME Y14.5	tolerance std ASME Y14.5	projection ASME Y14.5	MM
		TOLERANCES UNLESS OTHERWISE SPECIFIED			
Dr	G. PETERS	2003/08/13	ANGULAR	0.X ±.30	size A4
Eng	D. BRANN	2003/08/13	LINEAR	0.XX ±.10	Scale 3:1
Chr	RAMESH P K	2008/03/27	0° ±2°	0.XXX ±.050	ECN 108-0048
Appr	RAMESH P K	2008/03/27	Product family EyeMax (tm)		Spec ref -
FCI		title 4X R/A THUMBSCREW RECPT ASSEMBLY, w/ 7 KEY SLOTS		chg no 10009629	Rev. K
		catalog no -	CUSTOMER		sheet 1 of 9



Copyright FCI.

A

B

C

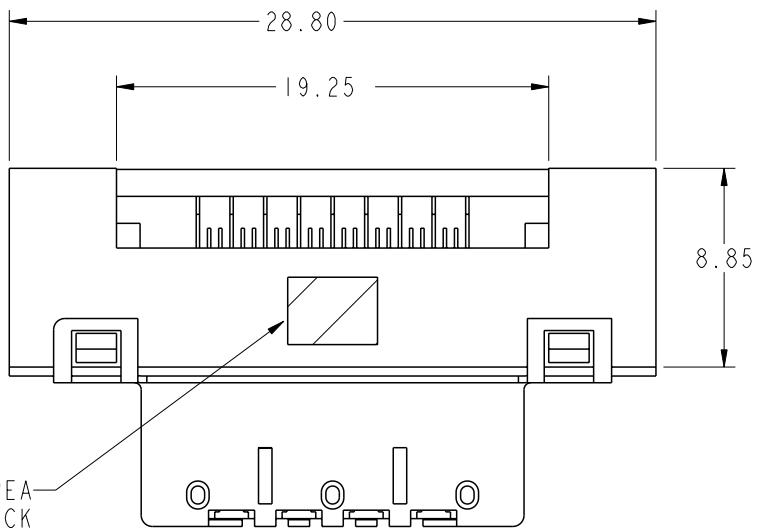
D

A

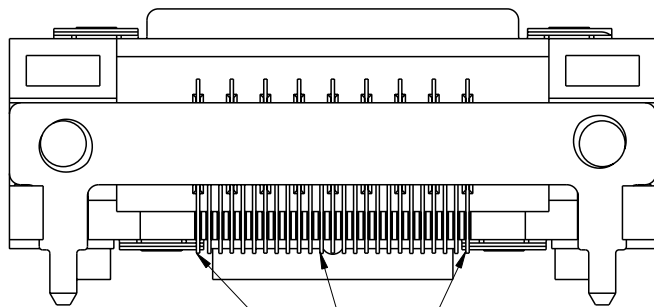
B

C

D

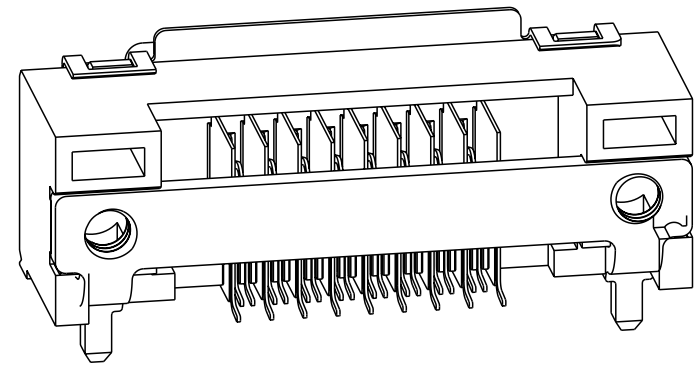


CROSS HATCH AREA  
IS FOR VACUUM PICK  
& PLACE REF. ONLY



0.13 D

COPLANARITY MEASUREMENT TO BE TAKEN  
AT THE BOTTOM MOST POINT ON CONTACT TAILS  
COPLANARITY ZONE IS BELOW DATUM D.

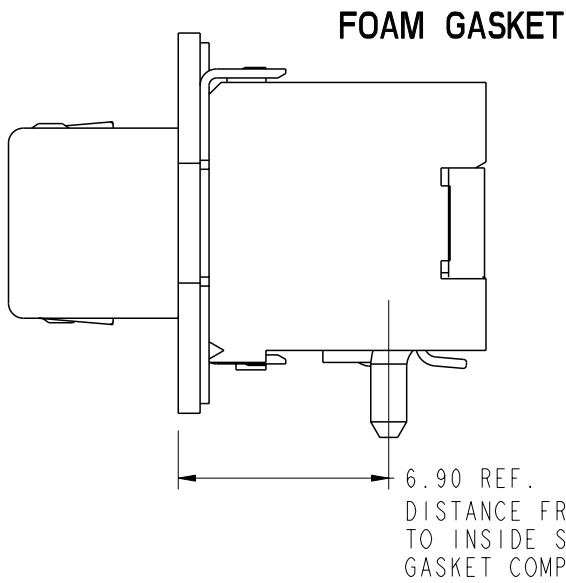
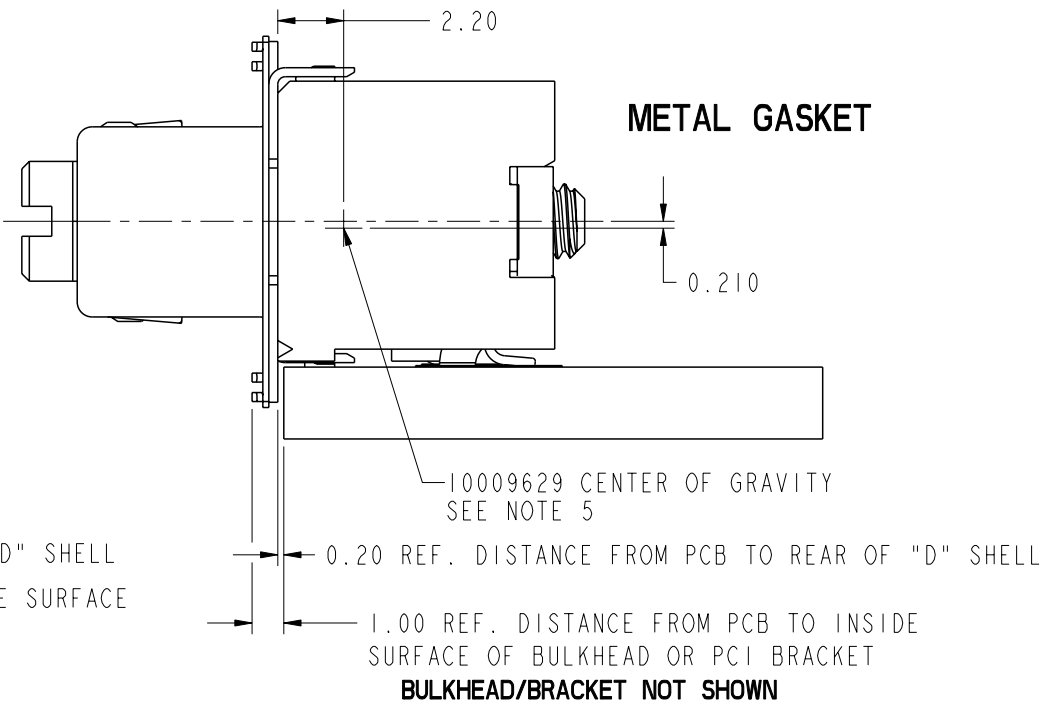
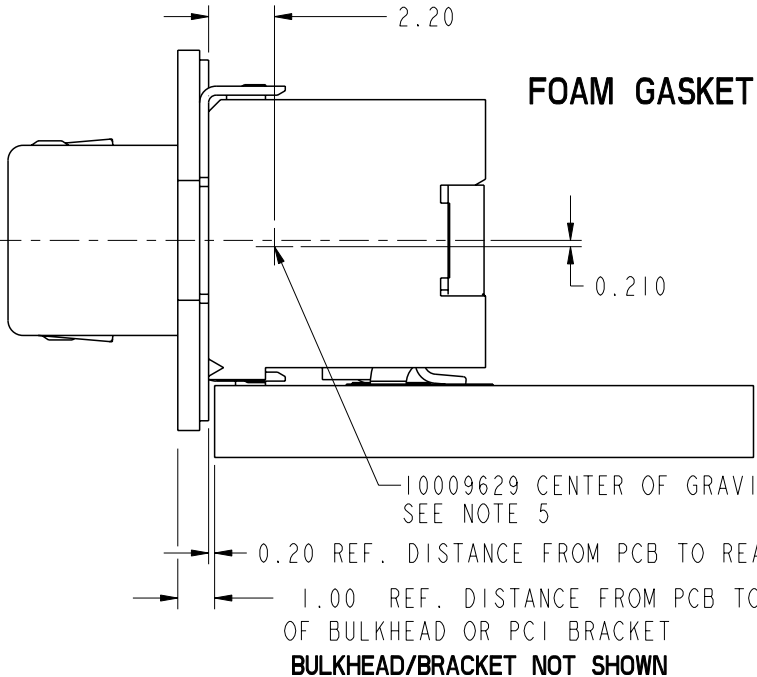


www.fciconnect.com		surface 3.2 ASME Y14.5	tolerance std ASME Y14.5	projection	MM
		TOLERANCES UNLESS OTHERWISE SPECIFIED			
Dr	G. PETERS	2003/08/13	ANGULAR	0.X ±.30	size A4
Eng	D. BRANN	2003/08/13	LINEAR	0.XX ±.10	Scale 3:1
Chr	RAMESH P K	2008/03/27	0° ±2°	0.XXX ±.050	ECN 108-0048
Appr	RAMESH P K	2008/03/27	Product family EyeMax (tm)		Spec ref -
		title 4X R/A THUMBSCREW RECPT ASSEMBLY, w/ 7 KEY SLOTS		chg no 10009629	Rev. K
		catalog no -	CUSTOMER		sheet 2 of 9



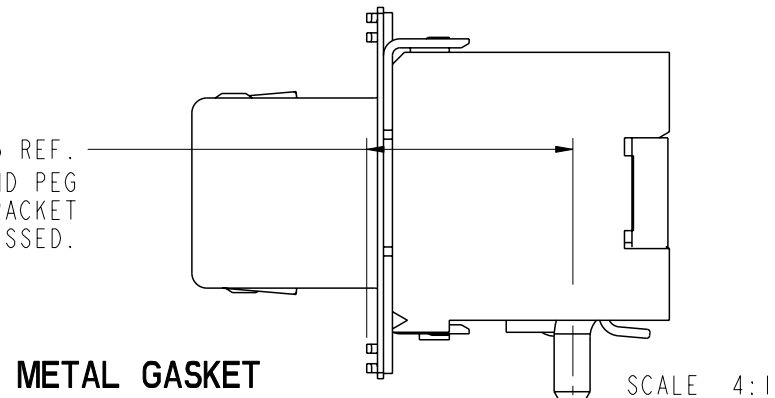
Copyright FCI.

REV F - 2008-04-17



6.75 REF.  
DISTANCE FROM CENTER OF GROUND PEG  
TO INSIDE SURFACE OF BULKHEAD OR PCI BRACKET  
GASKET COMPRESSED.

**BULKHEAD/BRACKET NOT SHOWN**



www.fciconnect.com		surface 3.2 ASME Y14.5		tolerance std ASME Y14.5		projection MM	
		TOLERANCES UNLESS OTHERWISE SPECIFIED				A4	
Dr	G. PETERS	2003/08/13	ANGULAR	0.X	±.3	size	Scale
Eng	D. BRANN	2003/08/13	LINEAR	0.XX	±.10	A4	1:1
Chr	RAMESH P K	2008/03/27	0° ±2°	0.XXX	±.050	ECN	108-0048
Appr	RAMESH P K	2008/03/27	Product family EyeMax (tm)			Spec ref	-
		title 4X R/A THUMBSCREW RECPT ASSEMBLY, w/ 7 KEY SLOTS			dwg no 10009629		Rev. K
catalog no		-			CUSTOMER		sheet 3 of 9



Copyright FCI.

A

B

C

D

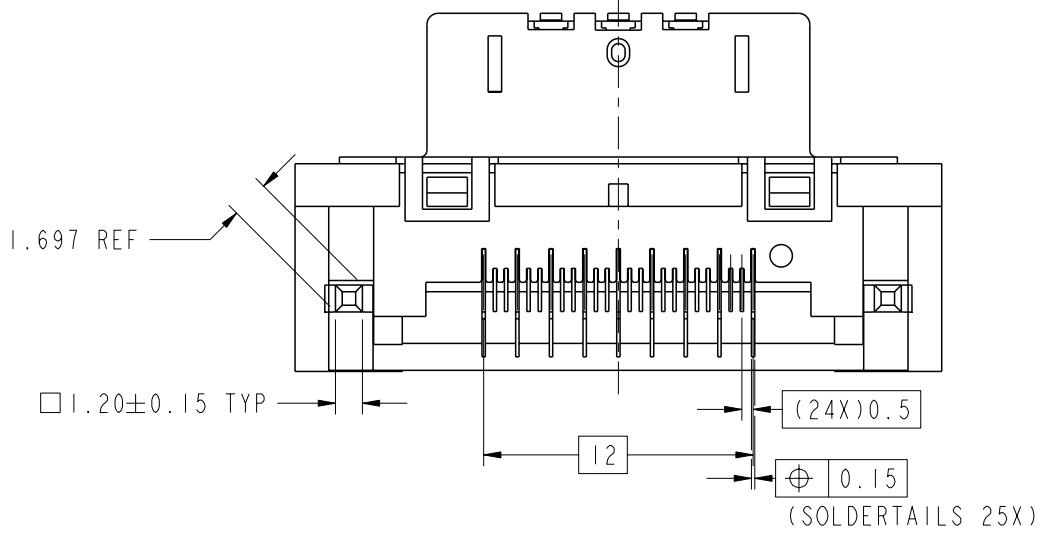
A

B

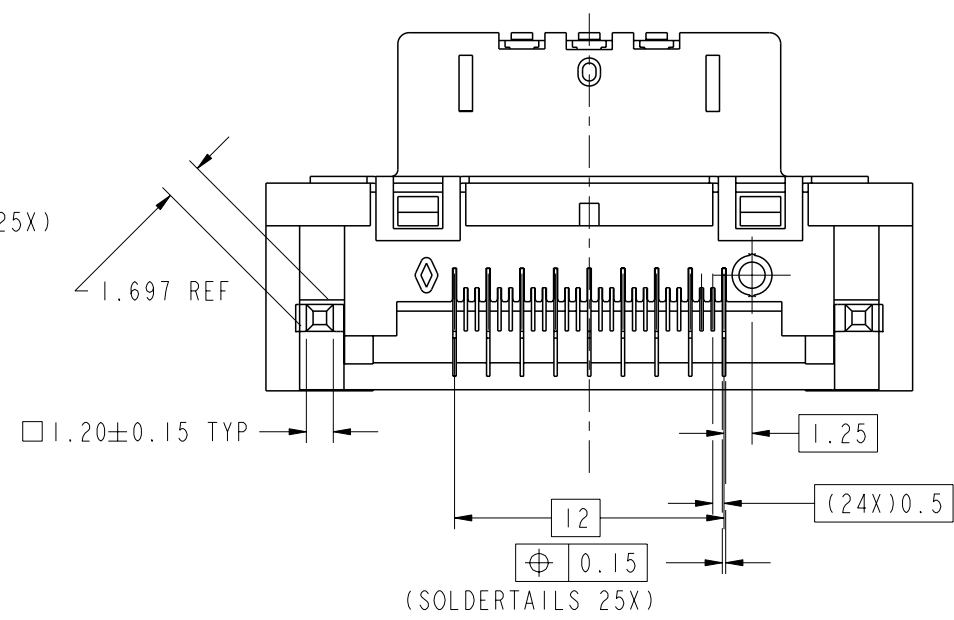
C

D

1 2 3 4



10009629-1XX0XX PRODUCT WITHOUT PEGS



10009629-1XX1XX PRODUCT WITH PEGS

www.fciconnect.com		surface 3.2 ASME Y14.5	tolerance std ASME Y14.5	projection ASME Y14.5	MM
TOLERANCES UNLESS OTHERWISE SPECIFIED					
Dr	G. PETERS	2003/08/13	ANGULAR	0.x ±.3	size A4
Eng	D. BRANN	2003/08/13	LINEAR	0.xx ±.10	Scale 3:1
Chr	RAMESH P K	2008/03/27	0° ±2°	0.xxx ±.050	ECN 108-0048
Appr	RAMESH P K	2008/03/27	Product family	EyeMax (tm)	Spec ref -
FCI		title 4X R/A THUMBSCREW RECPT ASSEMBLY, w/ 7 KEY SLOTS		diag no 10009629	
catalog no		-		CUSTOMER sheet 4 of 9	

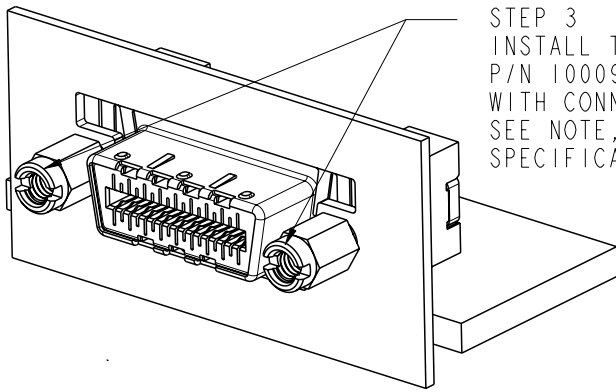
REV F - 2008-04-17

1 2 3 4

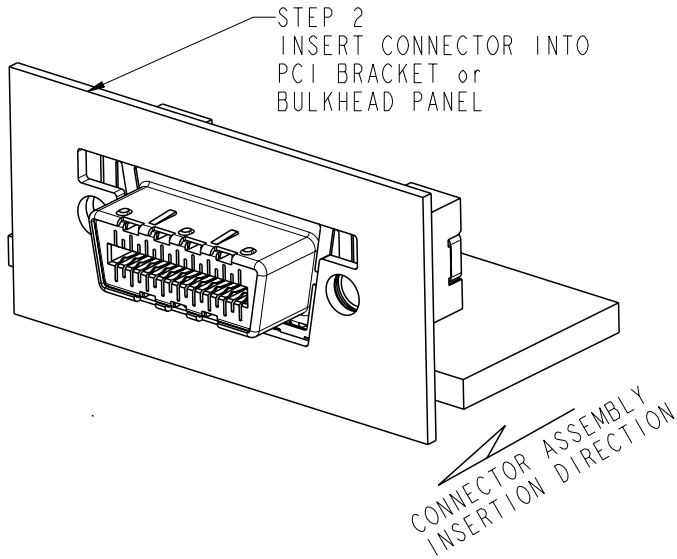
PDM: Rev:K

STATUS Released

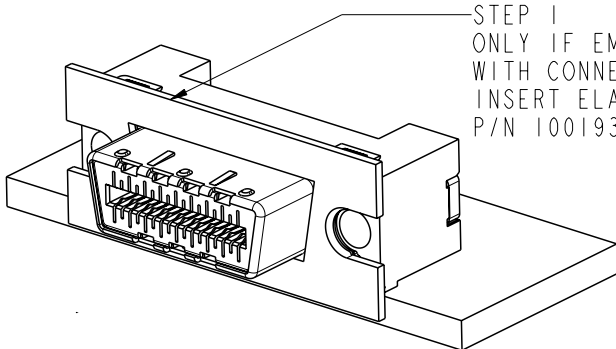
4 Printed: Apr 02, 2008



STEP 3  
INSTALL THREADED STANDOFFS  
P/N 10009634-001, NOT SUPPLIED  
WITH CONNECTOR ASSEMBLY  
SEE NOTE, SHEET 8, FOR TORQUE  
SPECIFICATION.

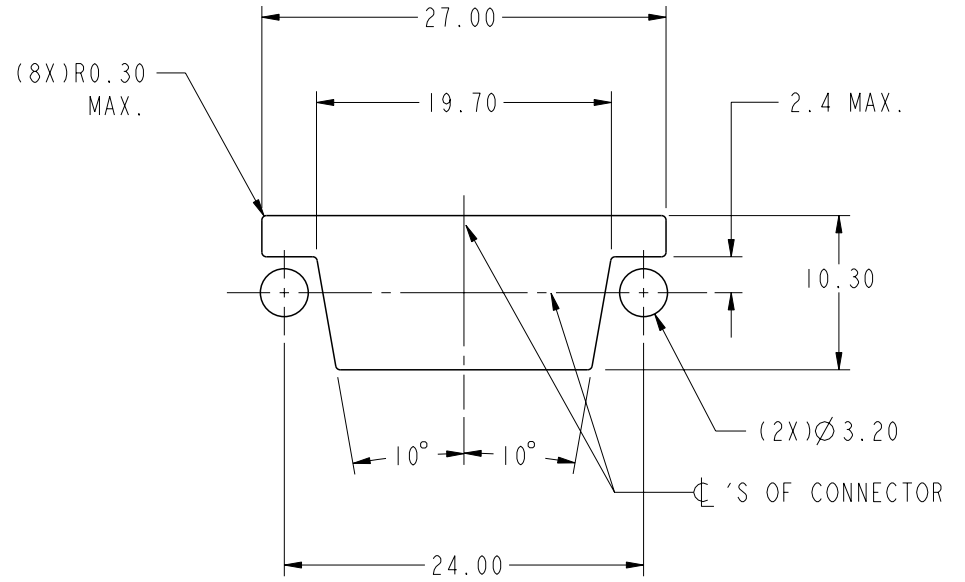


STEP 2  
INSERT CONNECTOR INTO  
PCI BRACKET or  
BULKHEAD PANEL



STEP 1  
ONLY IF EMI GASKET NOT SUPPLIED  
WITH CONNECTOR ASSEMBLY.  
INSERT ELASTOMERIC EMI GASKET,  
P/N 10019396-001.

CONNECTOR APPLICATION TO PCI BRACKET/PANEL



RECOMMENDED PANEL CUTOUT



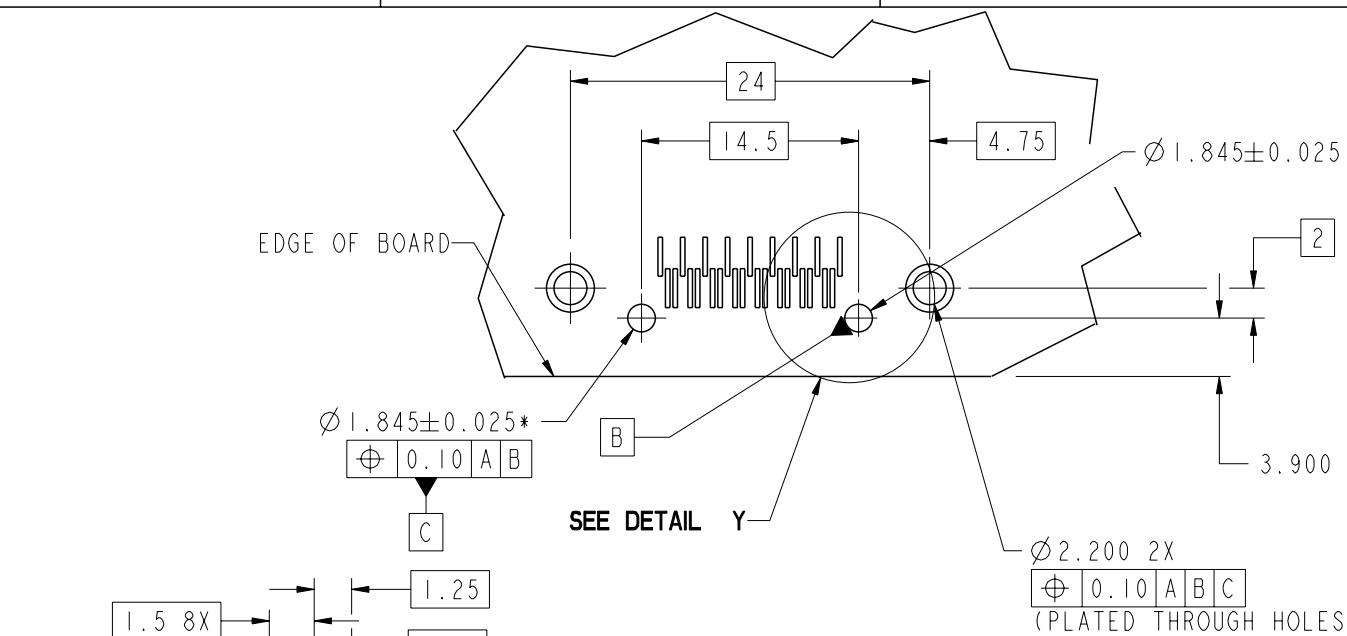
Copyright FCI.

www.fciconnect.com		surface 3.2 ASME Y14.5	tolerance std ASME Y14.5	projection MM
		TOLERANCES UNLESS OTHERWISE SPECIFIED		
Dr	G. PETERS	2003/08/13	ANGULAR	size A4
Eng	D. BRANN	2003/08/13	LINEAR	Scale 1:1
Chr	RAMESH P K	2008/03/27	0° ±2°	ECN 108-0048
Appr	RAMESH P K	2008/03/27	Product family EyeMax (tm)	Spec ref -
		title 4X R/A THUMBSCREW RECPT ASSEMBLY, w/ 7 KEY SLOTS		Rev. K
catalog no		-		sheet 5 of 9

REV F - 2008-04-17

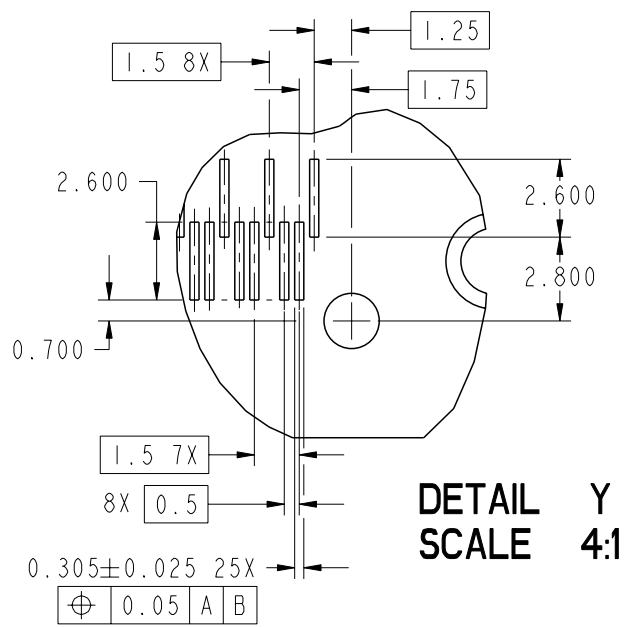


Copyright FCI.



**DATUM A IS SURFACE OF PCB**

RECOMMENDED PCB LAYOUT, COMPONENT SIDE FOR USE WITH CRUSH/DIAMOND PEGS (10009629-1XX1XX) SEE NEXT PAGE FOR RECOMMENDED PCB LAYOUT FOR RECEPTACLE ASSEMBLIES WITHOUT CRUSH/DIAMOND PEGS. \*RECEPTACLE CAN ALSO BE PLACED WITH 1.82±0.05/-0.0 BY 2.6±0.05 SLOT AT THIS LOCATION ON THE PCB



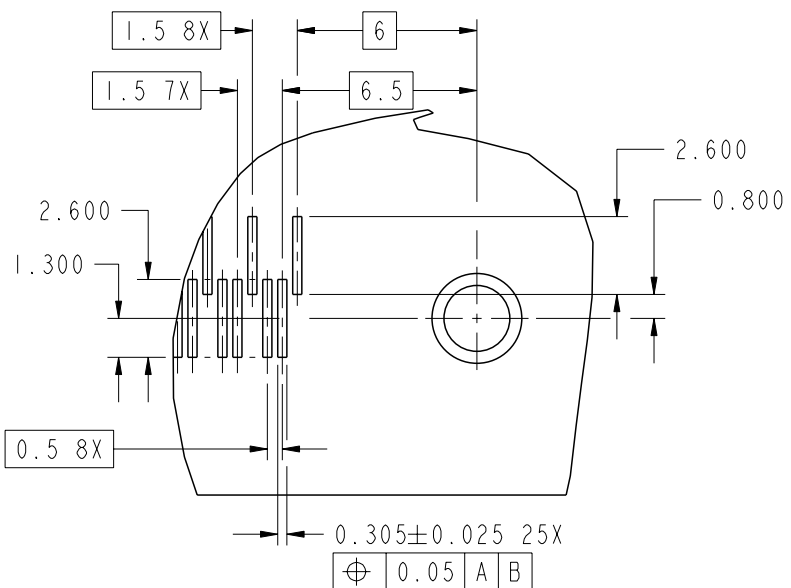
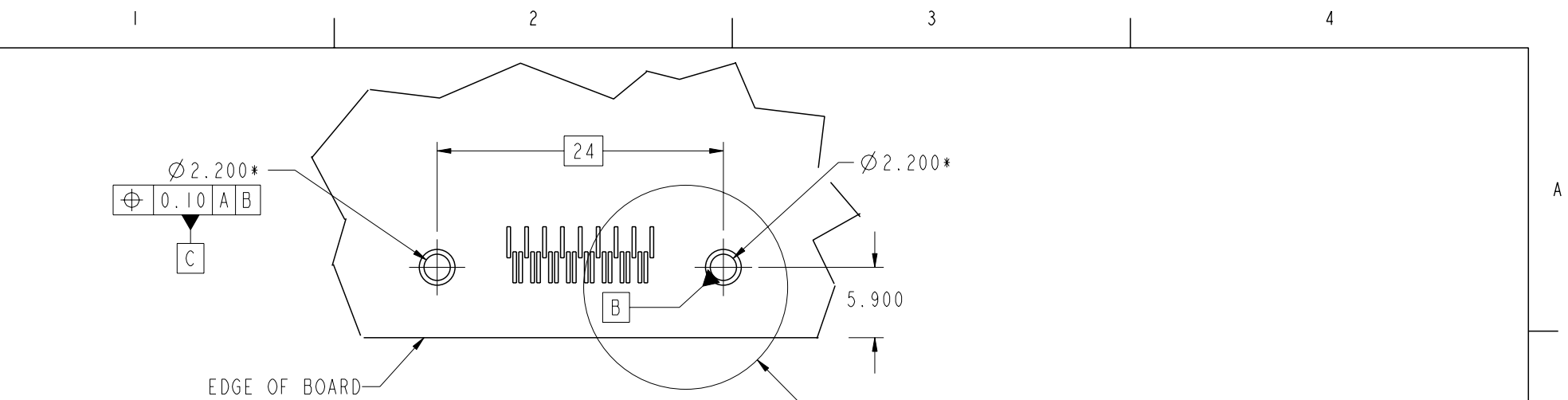
**DETAIL Y  
SCALE 4:1**

www.fciconnect.com		surface 3.2 ASME Y14.5 ✓	tolerance std ASME Y14.5 -	projection ⊕	MM ↔
		TOLERANCES UNLESS OTHERWISE SPECIFIED		size A4	Scale 1:1
Dr	G. PETERS	2003/08/13	ANGULAR	0.X ±.30	ECN 108-0048
Eng	D. BRANN	2003/08/13	LINEAR	0.XX ±.10	
Chr	RAMESH P K	2008/03/27	0° ±2°	0.XXX ±.050	
Appr	RAMESH P K	2008/03/27	Product family EyeMax (tm)		Spec ref -
FCI		title 4X R/A THUMBSCREW RECPT ASSEMBLY, w/ 7 KEY SLOTS		chg no 10009629	Rev. K
		catalog no	CUSTOMER		sheet 6 of 9

REV F - 2008-04-17



Copyright FCI.



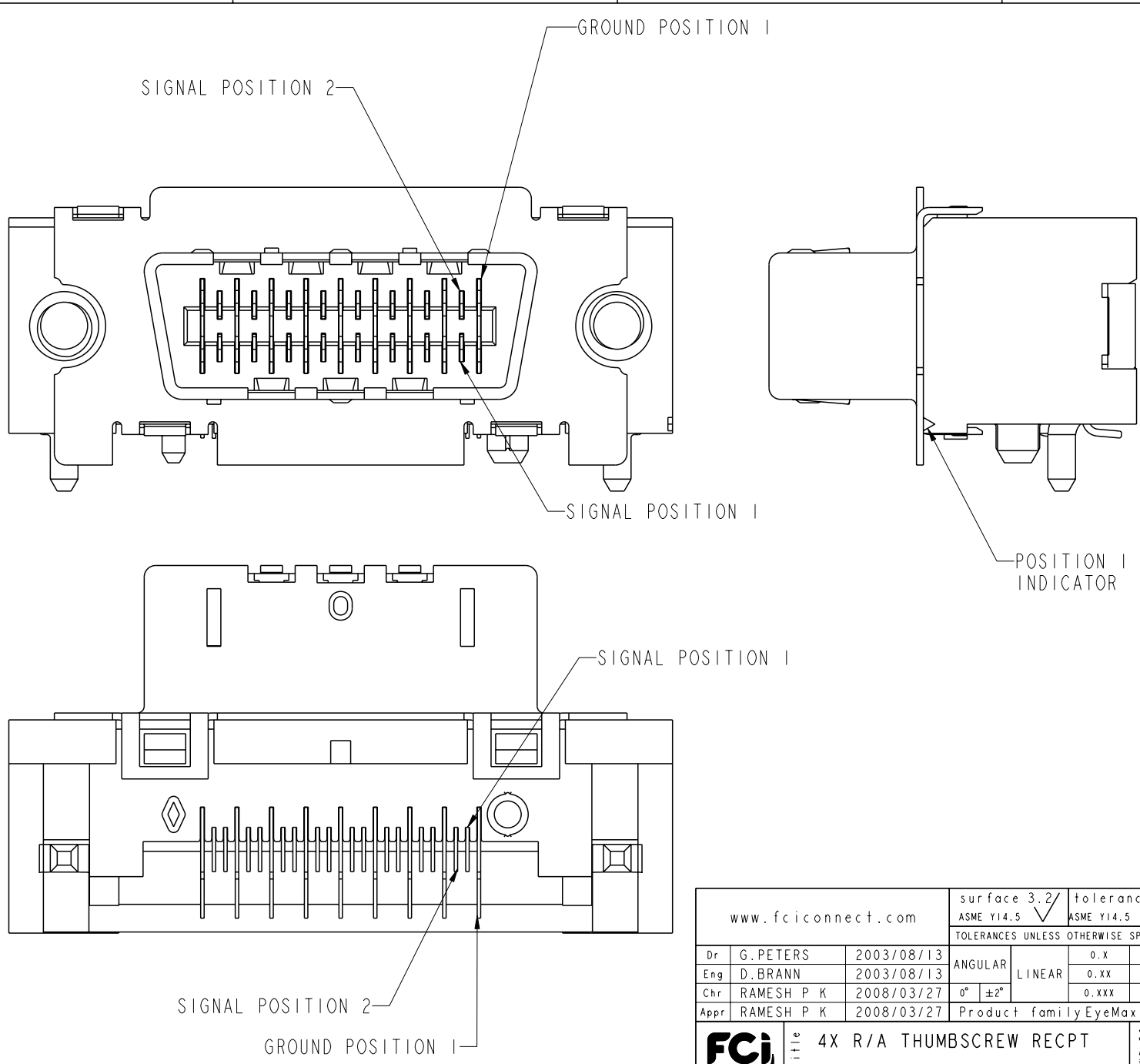
DETAIL X  
SCALE 4:1

DATUM A IS SURFACE OF PCB

RECOMMENDED PCB LAYOUT, COMPONENT SIDE FOR USE WITHOUT CRUSH/DIAMOND PEGS (10009629-1XX0XX)  
 SEE PREVIOUS PAGE FOR RECOMMENDED PCB LAYOUT FOR RECEPTACLE ASSEMBLIES WITH CRUSH/DIAMOND PEGS.  
 \*PLATED THROUGH HOLES

www.fciconnect.com		surface 3.2 ASME Y14.5	tolerance std ASME Y14.5	projection ASME Y14.5	MM
		TOLERANCES UNLESS OTHERWISE SPECIFIED			
Dr	G. PETERS	2003/08/13	ANGULAR	0.X ±.30	size A4
Eng	D. BRANN	2003/08/13	LINEAR	0.XX ±.10	Scale 1:1
Chr	RAMESH P K	2008/03/27	0° ±2°	0.XXX ±.050	ECN 108-0048
Appr	RAMESH P K	2008/03/27	Product family EyeMax (tm)		Spec ref -
		title 4X R/A THUMBSCREW RECPT ASSEMBLY, w/ 7 KEY SLOTS		chg no 10009629	Rev. K
		catalog no -	CUSTOMER		sheet 7 of 9

REV F - 2008-04-17



Copyright FCI.

REV F - 2008-04-17

www.fciconnect.com		surface 3.2 ASME Y14.5	tolerance std ASME Y14.5	projection MM
		TOLERANCES UNLESS OTHERWISE SPECIFIED		
Dr	G. PETERS	2003/08/13	ANGULAR	0.x ±.30
Eng	D. BRANN	2003/08/13	LINEAR	0.xx ±.10
Chr	RAMESH P K	2008/03/27	0° ±2°	0.xxx ±.050
Appr	RAMESH P K	2008/03/27	Product family	EyeMax (tm)
				size A4
				Scale 1:1
				ECN 108-0048
				Spec ref -
		<b>title</b> 4X R/A THUMBSCREW RECPT ASSEMBLY, w/ 7 KEY SLOTS		<b>chg no</b> 10009629
<b>catalog no</b>		CUSTOMER		sheet 8 of 9



PRODUCT NUMBER

10009629-1XXXXX

10009629-1XXXXXXYY

SOLDERTAIL PLATING  
BLANK-TIN-LEAD  
LF-LEAD FREE (SEE NOTE 2)

KEYING OPTIONS  
0-NONE

PACKAGING  
1-TAPE & REEL  
2-TRAY  
3-TAPE & REEL WITH THREADED STAND-OFFS INCLUDED  
(PACKAGED SEPERATELY). 2 PER CONNECTOR.  
4-TRAY WITH THREADED STAND-OFFS INCLUDED  
(PACKAGED SEPERATELY). 2 PER CONNECTOR.

PEGS  
0-NONE  
1-CRUSH/DIAMOND PEGS

PCB THICKNESS  
1-1.6mm  
2-2.4mm  
3-4.0mm

EMI GASKET  
0-WITH FOAM GASKET  
1-WITHOUT GASKET  
2-WITH METAL GASKET (NOT TOOLED)

PLATING  
GOLD OVER NICKEL IN CONTACT AREA

CONNECTOR NOTES:

- ①. HOUSING MATERIAL: UL94 V-O LCP RESIN.  
SIGNAL PIN MATERIAL: COPPER ALLOY.  
GROUND CONTACT MATERIAL: COPPER ALLOY.
- ②. PLATING: LEAD FREE SOLDER TAILS 2μm (80μin) MIN MATTE TIN  
OVER 1.27μm (50μin) MIN NICKEL UNDERPLATE.
- ③. P/N AND DATE CODE TO APPEAR  
ON THIS SURFACE.
4. PRODUCT SPECIFICATION GS-12-209.  
APPLICATION SPECIFICATION GS-20-025.
5. CONNECTOR WEIGHT = 5.465 grams
6. PACKAGING SPECIFICATION GS-14-794. PACKAGING OF LEAD FREE  
PRODUCTS MEETS LABELING AND PACKAGING SPECIFICATION GS-14-920.
7. MAXIMUM PANEL THICKNESS 1.70mm
- ⑧. MAXIMUM TORQUE 0.45 N-m (4.0 lbf-in)

PCB NOTES:

9. ALL DIMENSIONS ARE BASIC UNLESS OTHERWISE  
SPECIFIED.
10. ALL HOLE DIAMETERS ARE FINISHED HOLE SIZE
11. MATES WITH EYEMAX<sup>®</sup> PLUG 58443 (WITHOUT PCB), 58638  
(WITH UNEQUALIZED PCB) OR 10026692 (WITH EQUALIZED PCB).
12. LEAD FREE PRODUCTS MEET EUROPEAN UNION DIRECTIVES AND  
OTHER COUNTRY REGULATIONS AS DESCRIBED IN GS-22-008.
13. THE HOUSING WILL WITHSTAND EXPOSURE TO 260°C PEAK TEMPERATURE  
FOR 15 SECONDS IN A CONVECTION, INFRARED OR VAPOR PHASE REFLOW  
OVEN.



Copyright FCI.

PRODUCT NUMBER	BOARD THICKNESS	DIM A
10009629-1X1XXX	1.6mm	2.3mm
10009629-1X2XXX	2.4mm	3.1mm
10009629-1X3XXX	4.0mm	4.7mm

www.fciconnect.com		surface 3.2 ASME Y14.5	tolerance std ASME Y14.5	projection MM
		TOLERANCES UNLESS OTHERWISE SPECIFIED		
Dr	G. PETERS	2003/08/13	ANGULAR	0.X ±.30
Eng	D. BRANN	2003/08/13	LINEAR	0.XX ±.10
Chr	RAMESH P K	2008/03/27	0° ±2°	0.XXX ±.050
Appr	RAMESH P K	2008/03/27	Product family	EyeMax (tm)
		title		4X R/A THUMBSCREW RECPT
		ASSEMBLY, w/ 7 KEY SLOTS		10009629
catalog no		CUSTOMER		sheet 9 of 9